

DK 1160

DK 1190

Dunstabzugshaube

Afzuigkap

Hotte aspirante

Cooker Hood

Montage- und Gebrauchsanweisung

Installatie- en gebruiksaanwijzing

Notice et d'utilisation et d'installation

Operating and Installation Instructions

Contents

Safety warnings	64
for user	64
for kitchen unit installer	64
Introduction	66
Extractor version	66
Filter Version	67
Hood Operation	68
Maintenance and care	70
Metal grease filter	70
Open the metal grease filter	70
Carbon filter	71
Changing the light bulb	72
Cleaning	73
Special accessories	73
Technical assistance service	73
Guarantee conditions	74
Technic Details	76
Mounting accessories included	76
Electrical connection	77
Safety warnings for the electrician	77
Wall unit mounting	78



Safety warnings

for user

- Always cover lighted elements, to prevent excess heat from damaging the appliance. In the case of oil, gas and coal fired cookers it is essential to avoid open flames.
- Also, when frying, keep the deep frying pan on the cooker top/cooker under careful control.
- The hot oil in the frying pan might ignite due to overheating.
- The risk of self-ignition increases when the oil being used is dirty.
- It is extremely important to note that overheating can cause a fire.
- **Never carry out any flambé cooking under the hood.**
- **Always disconnect the unit from the power supply before carrying out any work on the hood, including replacing the light bulb** (take the cartridge fuse out of the fuse holder or switch off the automatic circuit breaker).
- **It is very important to clean the hood and replace the filter at the recommended intervals. Failure to do so could cause grease deposits to build up, causing a fire hazard.**

for kitchen unit installer

- When used as an extractor unit, the hood must be fitted with a 120mm diameter hose.
- **When installing the hood, make sure you respect the following minimum distance from the top edge of the cooking hob/ring surfaces:**

electric cookers	600 mm
gas cookers	650 mm
coal and oil cookers	700 mm min.
- The national decree on fuel-burning systems specifies a maximum depression of 0.04 bar in such rooms.
- The air outlet must not be connected to chimney flues or combustion gas ducts. The air outlet must under no circumstances be connected to ventilation ducts for rooms in which fuel-burning appliances are installed.
- It is advisable to apply for authorization from the relevant controlling authority when connecting the outlet to an unused chimney flue or combustion gas duct.
The air outlet installation must comply with the regulations laid down by the relevant authorities.

- When the unit is used in its extractor version, a sufficiently large ventilation hole must be provided, with dimensions that are approximately the same as the outlet hole.
- National and regional building regulations impose a number of restrictions on using hoods and fuel-burning appliances connected to a chimney, such as coal or oil room-heaters and gas fires, in the same room.
- Hoods can only be used safely with appliances connected to a chimney if the room and/or flat (air/environment combination) is ventilated from outside using a suitable ventilation hole approximately 500-600 cm² large to avoid the possibility of a depression being created during operation of the hood.
- If you have any doubts, contact the relevant controlling authority or building inspector's office.
- Since the rule for rooms with fuel burning appliances is "outlet hole of the same size as the ventilation hole", a hole of 500-600 cm², which is to say a larger hole, could reduce the performance of the extractor hood.
- If the hood is used in its filtering function, it will operate simply and safely in the above conditions without the need for any of the aforementioned measures.
- When the hood is used in its extractor function, the following rules must be followed to obtain optimal operation:
 - short and straight outlet hose
 - keep bends in outlet hose to a minimum
 - never install the hoses with an acute angle, they must always follow a gentle curve only
 - keep the hose as large as possible (preferably the same diameter as the outlet hole).
- Failure to observe these basic rules will drastically reduce the performance and increase the noise levels of the extractor hood.

Introduction

Extractor version

- The hood is supplied as an extractor unit and can also be used with a filtering function by fitting one activated carbon filter (special accessory).
- You will need original AEG carbon filter for this function (see Special Accessories).
- The air is discharged to the outside through a pipe, which must be fitted to connection flange **D**. **Fig. 1**.
- Fix the deflector with two screws $\text{Ø}3,5 \times 6,5$. **Fig. 2**.

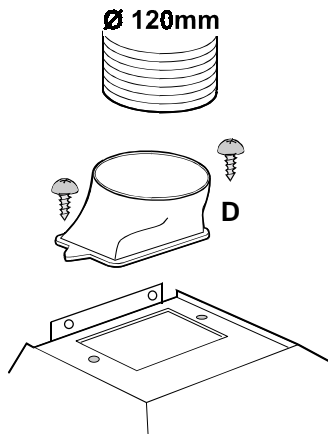


Fig. 1

Filter Version

- The air is filtered through an activated charcoal filter and returned to the kitchen through the top grill of the outlet pipe.
- You will need an original AEG KF20 activated carbon filter for the filtering function. (See Special Accessories).
- Fix the deflector using 2 screws \varnothing 3,5x6.5 mm. **Fig. 2.**

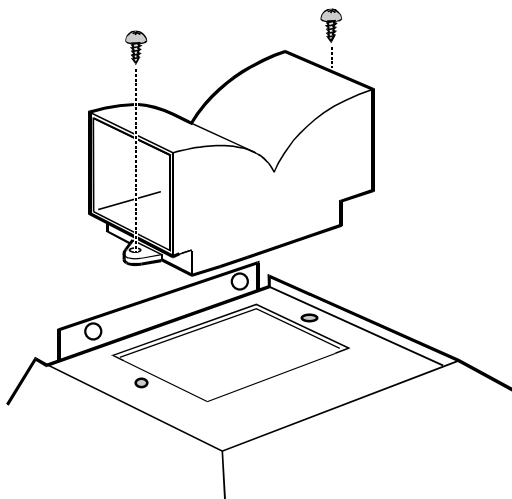
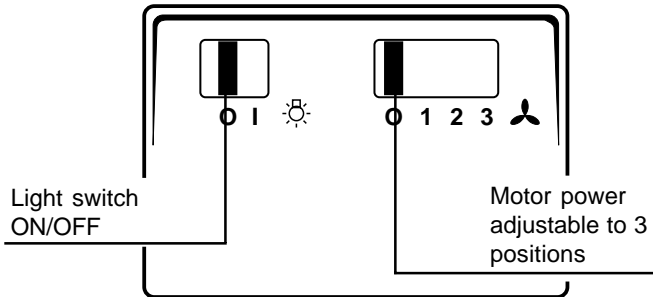


Fig. 2

Hood Operation

- The hood is fitted with one motor having several speed. Turn the hood on a few minutes before you start cooking then you will get an underpressure in the kitchen. It should be left on after cooking for about 15 minutes or until all odours have disappeared. The control switches are located on the unit's front panel:
- the **light switch** switches the hood lamp on and off;
- the **motor switch** switches the cooking smoke and vapour extractor motor on and off, enabling you to select one of the three different speeds.



Maintenance and care

- The hood must always be disconnected from the mains power supply before beginning any maintenance work.

Metal grease filter

- The purpose of the grease filters is to aspirate grease particles which form during cooking and it **must** always be used, either in the external evacuation or internal recycling function.
Attention: the metal grease filters must be removed and washed, either by hand or in the dishwasher, every four weeks.

Open the metal grease filter

- Push it towards the back of the unit and then pull it down and out.**Fig. 4.**

Hand washing

Soak grease filters for about one hour in hot water with a grease-loosening cleaner, then rinse off thoroughly with hot water. Repeat the process if necessary. Refit the grease filters when it are dry.

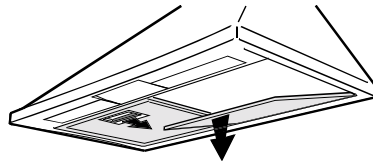


Fig. 4

Dishwasher machine

Place grease filters in dish washer. Select most powerful washing programme and highest temperature, at least 65°C. Repeat the process. Refit the grease filters when it are dry.

When washing the metal grease filter in the dishwasher a slight discoloration of the filter can occur, this does not have any impact on its performance.

- Clean the inner housing using a hot detergent solution only (never use caustic detergents, abrasive powders or brushes).

Carbon filter

- The carbon filter should only be used if you want to use the hood in its filtering function.
- To do this you will need an original AEG activated carbon filter (see special accessories).
- This filter cannot be cleaned or reused.
- **As a general rule, the activated carbon filter should be changed once every four months.**
- **Mounting — Fig. 5**
Fit one carbon filter on the left and one on the right so to cover the plastic grids that protect the fan wheel, then turn clockwise the central handle of the carbon filter.
- **To dismount** proceed in reverse order.
- Always specify the hood model code number and serial number when ordering replacement filters. This information is shown on the registration plate located on the inside of the unit.
- The activated carbon filters can be ordered from the AEG technical assistance service.

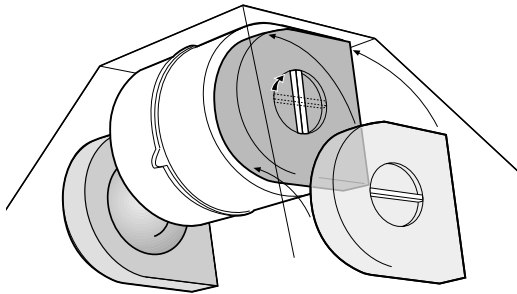


Fig. 5



Warning

- Failure to observe the instructions on cleaning the unit and changing the filters will cause a fire hazard. You are therefore strongly recommended to follow these instructions.
- The manufacturer declines all responsibility for any damage to the motor or any fire damage linked to inappropriate maintenance or failure to observe the above safety recommendations.

Changing the light bulb

- Disconnect the cooker hood from the main supply.
- Remove the lamp cover. **Fig. 6.**
- Replace the old bulb with a new one of the same type.
- Remount the lamp cover.
- If the light does not come on, make sure the bulb has been inserted in correctly before contacting the technical assistance service.

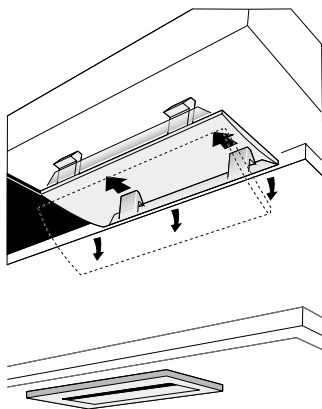


Fig. 6

Cleaning

- Warning: always disconnect the hood from the mains power supply before cleaning it.
Never insert pointed objects in the motor's protective grid.
- Wash the outside surfaces using a delicate detergent solution.
Never use caustic detergents or abrasive brushes or powders.
- Only ever clean the switch panel and filter grille using a damp cloth and delicate detergents.
- It is extremely important to clean the unit and change the filters at the recommended intervals. Failure to do so will cause grease deposits to build up that could constitute a fire hazard.

Special accessories

Carbon filter KF825

E-Nr. 942 118 627

Technical assistance service

You are welcome to telephone our technical assistance service (see list of technical assistance centres) whenever you need information or in the unlikely event of a fault.

When calling, please be ready to specify:

1. **The model code number**
2. **The serial number (E-Nr.)**
3. **The manufacturing number (F-Nr.)**

This information is shown on the registration plate inside the unit behind the grease filter.

We reserve the right to change specifications and colours as a result of our policy of continuing technological development.

Guarantee conditions

Guarantee Conditions

AEG offer the following guarantee to the first purchaser of this appliance.

1. The guarantee is valid for 12 months commencing when the appliance is handed over to the first retail purchaser, which must be verified by purchase invoice or similar documentation. The guarantee does not cover commercial use.
2. The guarantee covers all parts or components which fail due to faulty workmanship or faulty materials. The guarantee does not cover appliances where defects or poor performance are due to misuse, accidental damage, neglect, faulty installation, unauthorised modification or attempted repair, commercial use or failure to observe requirements and recommendations set out in the instruction book. This guarantee does not cover such parts as light bulbs, removable glass-ware or plastic.
3. Should guarantee repairs be necessary the purchaser must inform the nearest customer service office (manufacturer's service or authorised agent). AEG reserves the right to stipulate the place of the repair (i.e. the customer's home, place of installation or AEG workshop).
4. The guarantee or free replacement includes both labour and materials.
5. Repairs carried out under guarantee do not extend the guarantee period for the appliance. Parts removed during guarantee repairs become the property of AEG.
6. The purchaser's statutory rights are not affected by this guarantee.

European Guarantee

If you should move to another country within Europe then your guarantee moves with you to your new home subject to the following qualifications:

- The guarantee starts from the date you first purchased your product.
- The guarantee is for the same period and to the same extent for labour and parts as exist in the new country of use for this brand or range of products.
- This guarantee relates to you and cannot be transferred to another user.
- Your new home is within the European Community (EC) or European Free Trade Area.
- The product is installed and used in accordance with our instructions and is only used domestically, i.e. a normal household.
- The product is installed taking into account regulations in your new country.

Before you move please contact your nearest Customer Care Centre, listed below, to give them details of your new home. They will then ensure that the local Service Organisation is aware of your move and able to look after you and your appliances.

France	Senlis	+33 (0) 44 62 29 29
Germany	Nürnberg	+49 (0) 911 323 2600
Italy	Pordenone	+39 (0) 1678 47053
Sweden	Stockholm	+46 (0) 8 738 7910
UK	Slough	+44 (0) 1753 219899

Technic Details

Models:	DK 1160	DK1190
Dimensions (in cm):		
Height	87,5-111,6	87,5-111,6
Width	59,8	89,8
Depth	51,5	51,5
Maximum absorbed power:	250 W	250 W
Motor absorption:	170 W	170 W
Lighting:	2 x 40 W	2 x 40 W
Length of the cable:	135 cm	135 cm

Mounting accessories included

- 1 deflector
- 1 chimney support
- 2 grids
- 2 hooks
- 4 wood-screws 5 x 45 mm
- 4 wall plugs Ø 8 mm
- 2 metal screws 3,5 x 6,5
- 2 metal screws 3 x 9

Electrical connection

Safety warnings for the electrician

Before connecting the appliance to the power supply, check that the voltage indicated on the rating plate corresponds to the mains power supply available. Appliances fitted with a plug can be connected to any standard power socket within easy access.

Should it be necessary to provide a fixed connection, the hood must only be installed by an electrician authorised by the local electricity board. When installing, an omnipolar disconnector with a distance of at least 3 mm between contacts must be provided.

This disconnector may be for example a switch, fuses (plug fuses must be removed from the fuse box, fault current switches and remote switches with a distance of over 3 mm between contacts).

The manufacture declines all responsibility for malfunctions resulting from failure to comply with the above instructions.

If the power socket is applied directly above the hood this gives two advantages:

1. the socket is not visible.
2. the appliance can be disconnected at need merely by removing the plug.

Electrical connection

220-240 V – by means of fixed power cable with plug.

(Fixed connection of the appliance must only be carried out by an authorised electrician.)

Wall unit mounting - Fig. 7

- Put the template onto the wall **(1)** and drill two Ø12mm holes **(2)**.
- Fit two hooks **(3)** on the drilled holes.
- Hang the hood on the hooks and adjust the position of the hood using the two screws on the bottom of the hooks **(5)**.
- Remove the metal filters **(4)** and mark two points **(6)**. Remove the hood and drill two Ø8mm holes on the marked points.
Fit two Ø8mm wall dowels **(7)**, Hang again the hood and fix the hood definitively with two screws 5X45 **(8)**.
- Fix the chimney support **(10)** with two screws 5 x 45 mm **(9)** and two wall dowels **(11)** on the wall close to the ceiling.
- **For exhausting version:** Fit the connection ring **(S)** on the top of the hood with two screws Ø 3,5 x 6,5 mm **(12S)** then fit an exhausting pipe long enough to reach the outside **(13S)**.
For recycling version: Fix definitively the deflector **(13K)** on the top of the hood with two screws Ø 3,5 x 6,5 mm **(12K)**.
- Prepare the electric connection **(14)** (see relative chapter).
- Fit the chimney **(15)** and fix it on the chimney support with two screws 3,0 x 9 mm **(16)**.
The lower part of the chimney must be slid down and inserted on the housing on the upper part of the hood **(17)**.
- Fit the two grids **(18)** on both sides of the chimney.

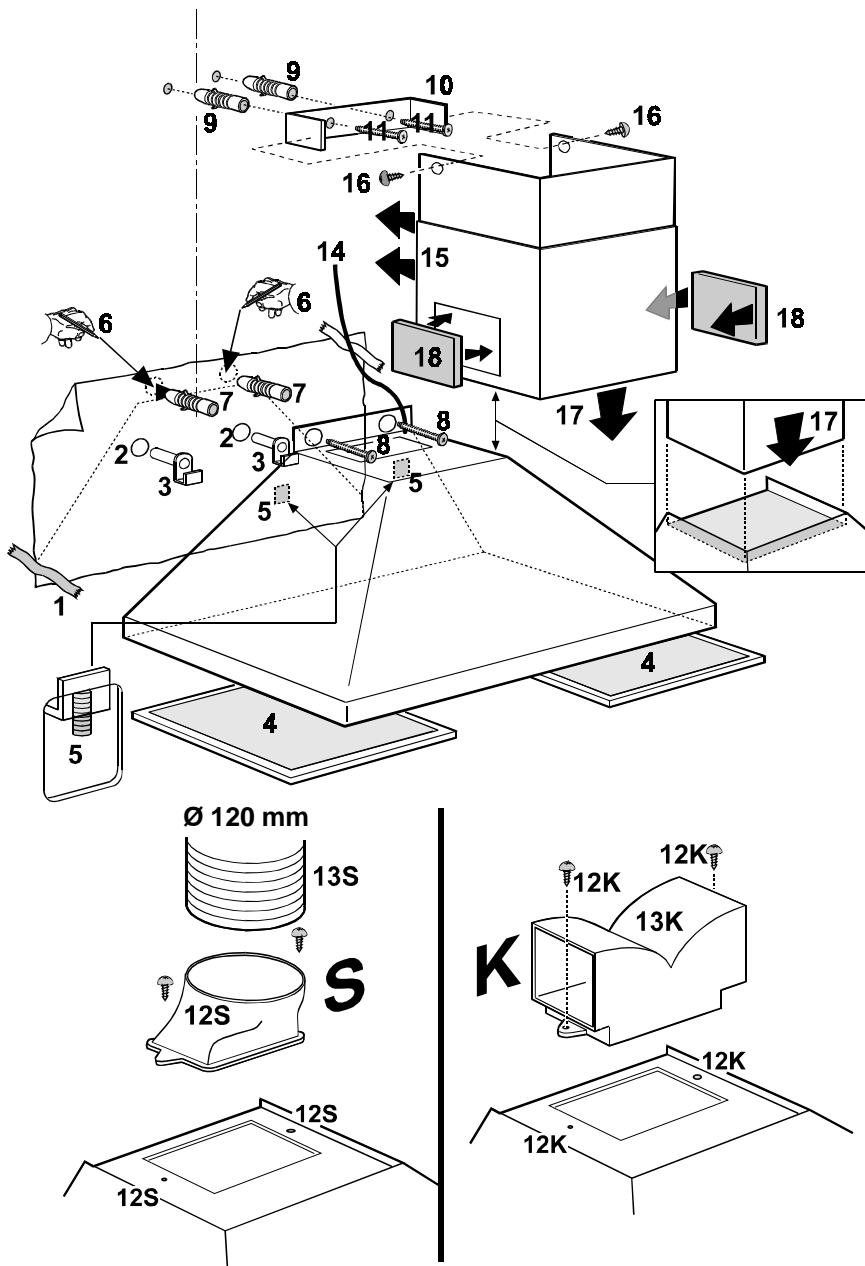


Fig. 7

**AEG Hausgeräte GmbH
Postfach 1036
D-90327 Nürnberg**

<http://www.aeg.hausgeraete.de>

© Copyright by AEG

LI1USB Ed.03/02